



# AC Split Core Current Transducer Type ETS16 Series

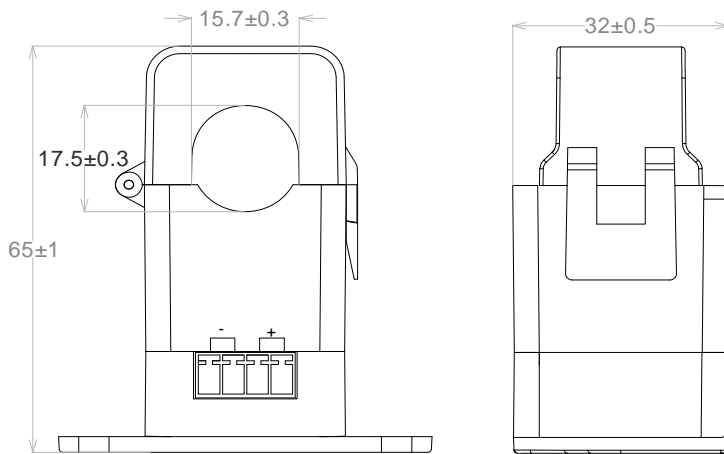
The ETS16 series are split-core current transducers. The transducer can be mounted to existing panels, such as control centers or load centers, to measure or monitor wattage. These CTs can be mounted without removing existing cables for easier installation



## Electrical Specifications

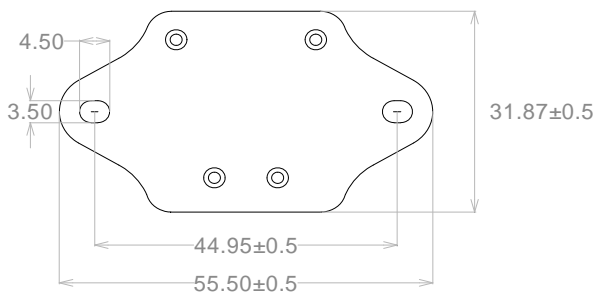
MODEL	INPUT CURRENT	AVAILABLE OUTPUT
ETS16-50	50 A	POWER SUPPLY@18~30V CURRENT OUTPUTS @4~20mA
ETS16-80	80 A	
ETS16-100	100 A	
ETS16-120	120 A	
ETS16-150	150 A	

## Mechanical Dimensions in mm



Front View

Right View



Bottom View

## APPLICATIONS

- Phase fired controlled heaters
- Quickly varying motor loads
- Chopped wave form drivers
- Current measurements

## FEATURES

- Split Core design
- 4-20 mA DC output; 18-30VDC powered
- 16mm windows size
- 0~150A current customized
- Accuracy 1%
- Frequency range 20 Hz - 5 KHz
- Weight 90g

## Advantage

- Easy installation
- Excellent linearity over the whole range
- Compact case
- High isolation between primary and secondary

## Connections Diagram

