

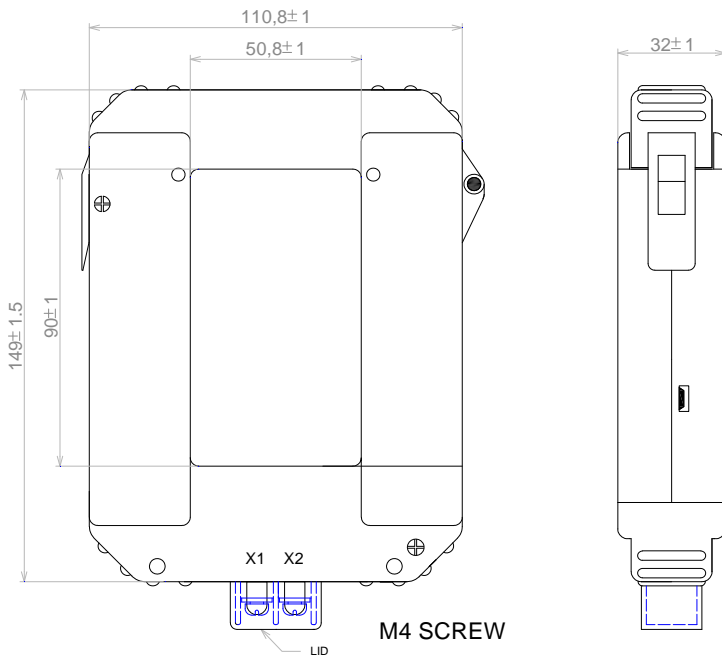
The ETS90 series are split-core current transducers. The transducer can be mounted to existing panels, such as control centers or load centers, to measure or monitor wattage. These CTs can be mounted without removing existing cables for easier installation



Electrical Specifications

MODEL	INPUT CURRENT	AVAILABLE OUTPUT
ETS90-500	500 A	POWER SUPPLY@18~30V CURRENT OUTPUTS @4~20mA
ETS90-600	600 A	
ETS90-800	800 A	
ETS90-1000	1000 A	
ETS90-1200	1200 A	

Mechanical Dimensions in mm



APPLICATIONS

- Phase fired controlled heaters
- Quickly varying motor loads
- Chopped wave form drivers
- Current measurements

FEATURES

- Split Core design
- 4-20 mA DC output; 18-30VDC powered
- 50*90 mm windows size
- 0~600A current customized
- Accuracy 1%
- Frequency range 20 Hz - 5 KHz
- Weight 700g

Advantage

- Easy installation
- Excellent linearity over the whole range
- Compact case
- High isolation between primary and secondary

Connection Diagram

