

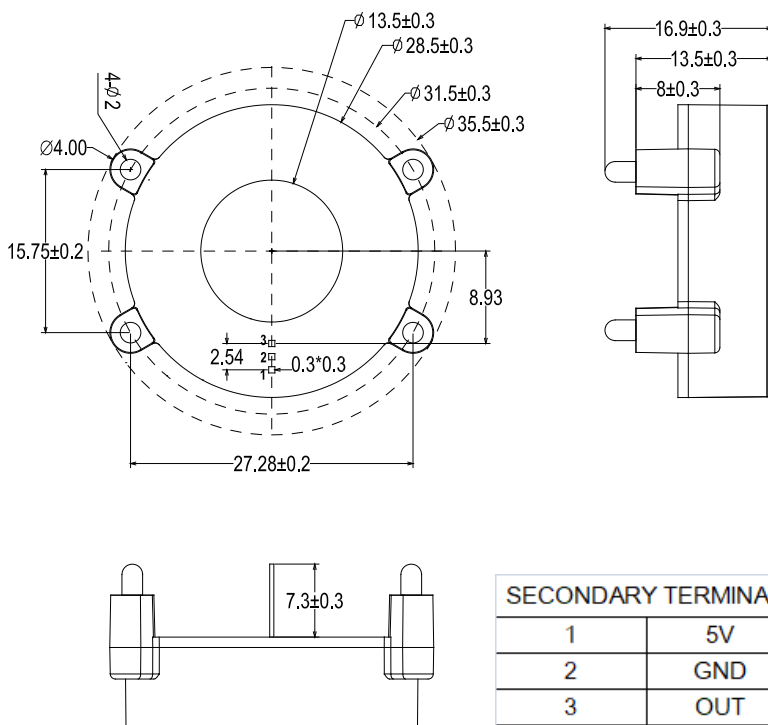
For the electronic measurement of currents:DC,AC,pulsed,mixed, with a galvanic isolation between the primary(high power) circuit and the secondary(electronic) circuit.



Electrical Specifications

Primary nominal r.m.s. current	I_{PN}	500A
Primary current measuring range	I_P	0~±580A
ΔV_O at peak rated current	ΔV_O	1.655V @ $I_{PN}, V_C=5V, R_L=10K\Omega$
Supply voltage	V_{CC}	4.5~10.5VDC
Offset voltage	V_O	$(V_{CC}/2) \pm 2\%$ @ $I_P=0, T_A=25^\circ C$
Supply current	I_C	7.2mA type 8.7mA max@5V, $T_A=25^\circ C$
Output current	I_{OUT}	2mA MAX
Output linearity	ϵ_L	$\leq \pm 1\%$ @ $0 \sim \pm I_{PN}$
Accuracy	X	$\pm 2\%$ @ I_{PN}
Thermal drift of V_O		0.03%/°C
Thermal drift of Gain		0.03%/°C
di/dt accurately followed	di/dt	> 50A/μs
Frequency bandwidth	f	DC~50KHz
Response time	Tr	6μs
Isolation voltage	V_d	2.5KV @50(60)HZ/1min
Operating temperature	T_O	-45~+125°C

Mechanical Dimensions in mm



APPLICATIONS

- AC variable speed drives and servo motor drives
- Static converters for DC motor drives
- Battery supplied applications
- Switched Mode Power Supplies(SMPS)

FEATURES

- PCB Mount
- 13.5mm windows size
- 0~500A current customized
- Weight 19g

Advantage

- Output voltage is isolated from the input
- Low power consumption
- Good linearity
- Excellent temperature stability