

The ECOL09 series are solid Core energy monitoring current transformers. The CT is small size and low cost

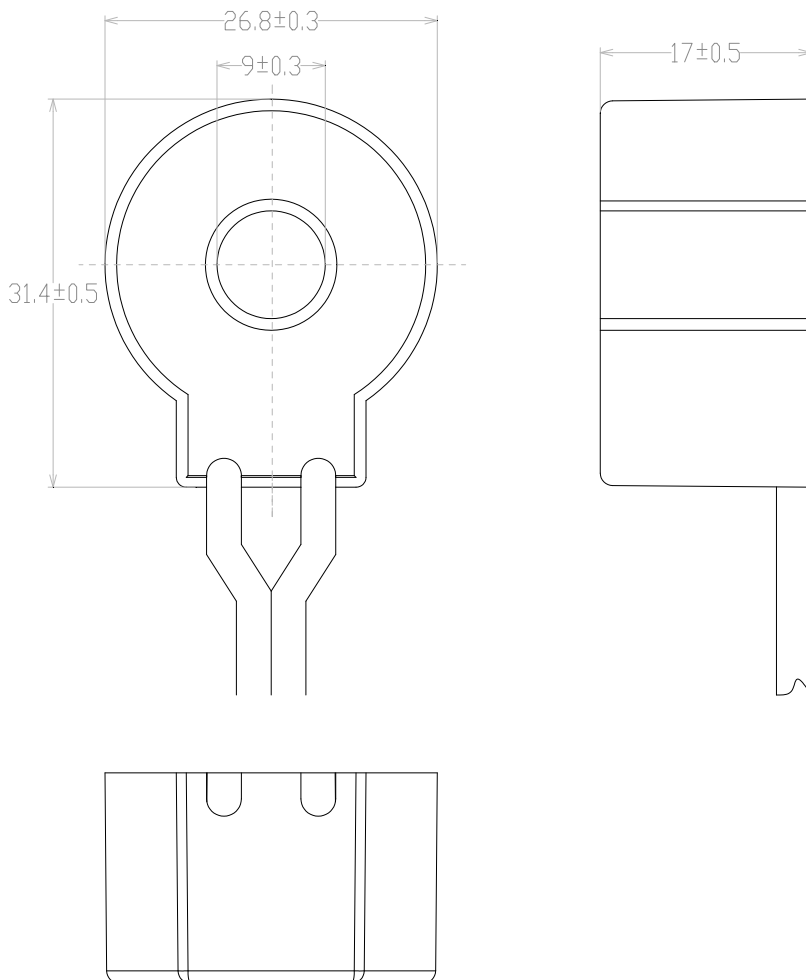


Electrical Specifications

MODEL	INPUT CURRENT	AVAILABLE OUTPUT
ECOL09-05	5 A	OUTPUTS @ 5mA, 10mA, 15mA, 20mA, 0.333V, 0.5V, 1V, 2V (can be customized by customer)
ECOL09-10	10 A	
ECOL09-20	20 A	
ECOL09-40	40 A	
ECOL09-60	60 A	



Mechanical Dimensions in mm



APPLICATIONS

- Energy and sub-metering products
- Electrical load monitoring
- Network equipment
- Instruments and sensors
- Control systems
- Go GREEN initiatives

FEATURES

- 0.35" window opening (ID)
- Custom design Turns-Ratio available
- Rigid housing case with UL 94V-0 durable plastic
- Approximate weight 25g

SPECIFICATIONS

- Standard Input Current 0.01-60A
- Frequency 50Hz — 400Hz
- Standard accuracy 0.1, 0.2, 0.5
- Insulation Voltage 4000 Vac/1min
- Operating Temp. -40°C to +70°C
- Storage Temp. -45°C to +85 °C
- ANSI C57.13 and IEC60044-1 Standards
- UL2808 and IEC61010-1 Standards

Connection Diagram

