

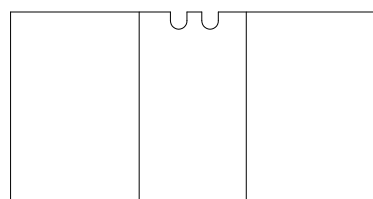
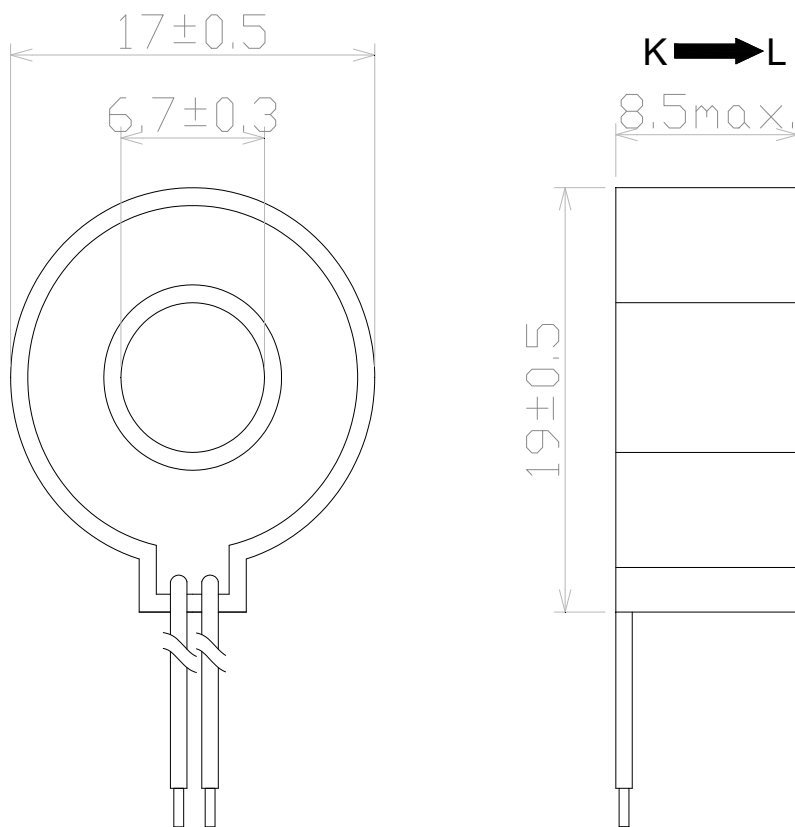
The ECO06 series are mini-precision current transformers. The CT is small size and low cost.

### Electrical Specifications

MODEL	INPUT CURRENT	AVAILABLE OUTPUT
ECO06-05	5 A	CURRENT OUTPUTS @ 5mA, 10mA, 15mA, 20mA  (can be customized by customer)
ECO06-10	10 A	
ECO06-15	15 A	
ECO06-20	20 A	



### Mechanical Dimensions in mm



### APPLICATIONS

- Energy and sub-metering products
- Electrical load monitoring
- Network equipment
- Instruments and sensors
- Control systems
- Go GREEN initiatives

### FEATURES

- 0.236" window opening (ID)
- Custom design Turns-Ratio available
- Rigid housing case with UL 94V-0 durable plastic

- Approximate weight 10g

### SPECIFICATIONS

- Standard Input Current 0.01-20A
- Frequency 50Hz — 400Hz
- Standard accuracy 0.1,0.2,0.5
- Insulation Voltage 4000 Vac/1min
- Operating Temp. -40°C to +65°C
- Storage Temp. -45°C to +85 °C
- ANSI C57.13 and IEC61869-2 Standards

### Connection Diagram

