

Clamp-on Flexible Rogowski coil ERC120/190/305-1 Series

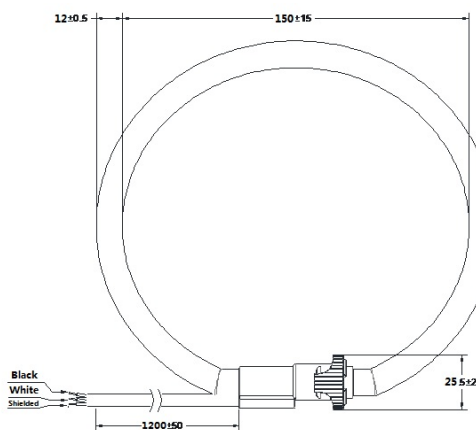
Clamp-on Flexible Rogowski coil Current Transformer has been designed for accurate measurement of wide AC current, pulsed DC or distorted waveforms. It may be used to measure AC current over a wide dynamic range and from 10Hz to 20kHz



STANDARD PART NUMBERS

MODEL	ERC120-1	ERC190-1	ERC305-1
Current Range	1,000A	2,000A	3,000A
Output Voltage	120mV AC/1000A@50Hz 144mV AC/1000A@60Hz	240mV AC/2000A@50Hz 288mV AC/2000A@60Hz	342mV AC/3000A@50Hz 410.4mV AC/3000A@60Hz
Accuracy	< 1%		
Phase Shift	50/60Hz (typical)		
Frequency Range	10Hz to 20kHz		
Output Sensitivity Tolerance	±5% maximum(Uncalibrated)		
Output Sensitivity Tolerance	±0.5% of reading at 25°C(Calibrated)		
Linearity (10% to 100% of range)	±0.2% of reading		
Conductor Position Sensitivity	±2% maximum		
Influence of External Field	±2% maximum		
Working Temp.	-20°C to +60°		
Insulation Category	CATIII		

DIMENSIONS(MM)



DIMENSIONS (mm)	ERC120-1	ERC190-1	ERC305-1
A Window Size	120	190	305
B Transformer Coil O.D.	145	205	335
C Transformer Length	400	600	1000
D Locking Connector O.D.	21		
E Transformer Coil Diameter	12		
F Wire Lead Total Length	1500(Available customizing)		

